

# DIAMOND EMERY SUEDEDING

Diamond emery machine SANDY  
Diamond emery machine SANDY<sup>2</sup>



**This special diamond sueding machine benefits from the very latest materials for diamond emery manufacturing.**

Sueding machine with 24 special cylinders, with independent variation of all working parameters, suitable for all types of woven fabrics.

Motor-driven draft cylinders with the Crosta programmer software power enables contact surface and Tangential sueding effect's completely automatic adjustment, thus allowing different fabrics interchanging, also without stopping the machine.

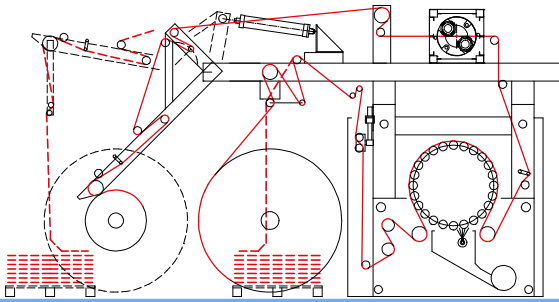


## PLUS

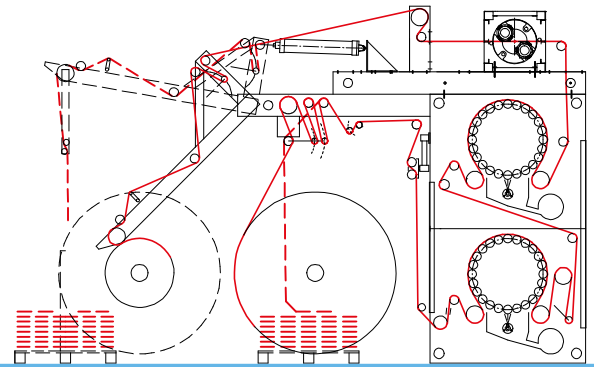
- » **Semi-automatic drawing-in** device.
- » **Pneumatic tension control** of cylinders driving belts.
- » Impulse running of each device with **independent driving system**.
- » **Working hours counter** for preventive maintenance control.
- » **Touch-screen display** to guide and assist the operator during each operation phase.
- » Programmer able to **record up to 400 work programs**.
- » **Driving system** with inverter-controlled three-phase motors and DC bus system.
- » An **air conditioner installed** on the upper section of the electric control box **keep the temperature constant** and **avoid the formation of condensate**, thus ensuring a long duration of all electric and electronic components.

## Technical data

Effective energy consumption	<b>20 kW</b>
Compressed air min. pressure	<b>5 bar</b>
Adjustable production speed	<b>10-40 m/min</b>
Drum speed	<b>70-120 rpm</b>
Machine width	<b>1800-2600 mm</b>
Impact on the environment Compliant with all safety, EMC and noise European standards.	



SANDY



SANDY²





## WORLDWIDE COVERAGE

With the largest global coverage of 70 countries, and the biggest amount of machines placed all over the world (more than 9.200 units), Mario Crosta is the oldest and biggest producer of textile face finishing company in the world.



## SUSTAINABLE TECHNOLOGIES

Mario Crosta machines are chosen by the best and biggest brands in the world to reach and maintain the highest level of quality, not forgetting the lowest production costs, achieved thanks to the up-to-date technology, and the low impact on the environment. Mario Crosta, in fact, for many years, has chosen to become a symbol of Green technology.



## OUR SERVICE

The after sale service has always been a goal Mario Crosta has always focused on. In addition to the headquarter division in Italy, which manages and organizes the requests from all over the world, a network of service centers throughout the globe ensures a fast and efficient service wherever customers are.



## OUR MISSION

Mario Crosta Group, in business since 1925, aims at meeting every customer's demand in textile finishing with competence, timeliness and professionalism, through a highly motivated and involved team and a constant attention to research and development. We offer innovative high value-added solutions to meet any worldwide market's growing technological needs.

### WOOL APPAREL

Raising  
Shearing  
Teasel  
Wet Brushing  
Decatizing  
Polishing

### WOVEN APPAREL

Raising  
Shearing  
Brush Sueding  
Diamond Emery

### KNIT APPAREL

Cotton Fleece  
Performance Fleece  
Polar Fleece  
Brush Sueding  
Shearing

### HOME TEXTILE

Raising  
Velvet Line  
Shearing  
Sueding

**MARIO CROSTA**

SINCE 1925



**Mario Crosta s.r.l.**

📍 21052 Busto Arsizio (VA) - Italy - Corso Sempione, 67

☎ +39 0331 631380 📠 +39 0331 631612

🌐 [www.mariocrosta.com](http://www.mariocrosta.com) ✉ [info@mariocrosta.com](mailto:info@mariocrosta.com)