

pentek.it



PENTEK
TEXTILE MACHINERY

K-BOOSTER
NEXT LEVEL DRYER

K-BOOSTER was born as an efficient drying unit, for the needs of high productivity and sensitivity to cost per meter, according to a sustainable process philosophy, today mandatory.

K-BOOSTER, therefore, follows a logic of modularity (1 or 2 chambers) to be able to adapt to different production needs, but given the enormous evaporation capacity in a very small space, it can also be conceived as a stand alone unit for pure drying.

INNOVATIVE CONCEPT

The highly innovative component lies in a multiple vertical fabric path, instead of the conventional linear and horizontal, allowing a maximum ratio between spaces and fabric content, maximizing the evaporation capacity, with forced suction and air recycling. Each module contains 15 meters of fabric in a space of just over 2 meters, with 630 kW of installed thermal power and 70,000 m³/h of air flow.

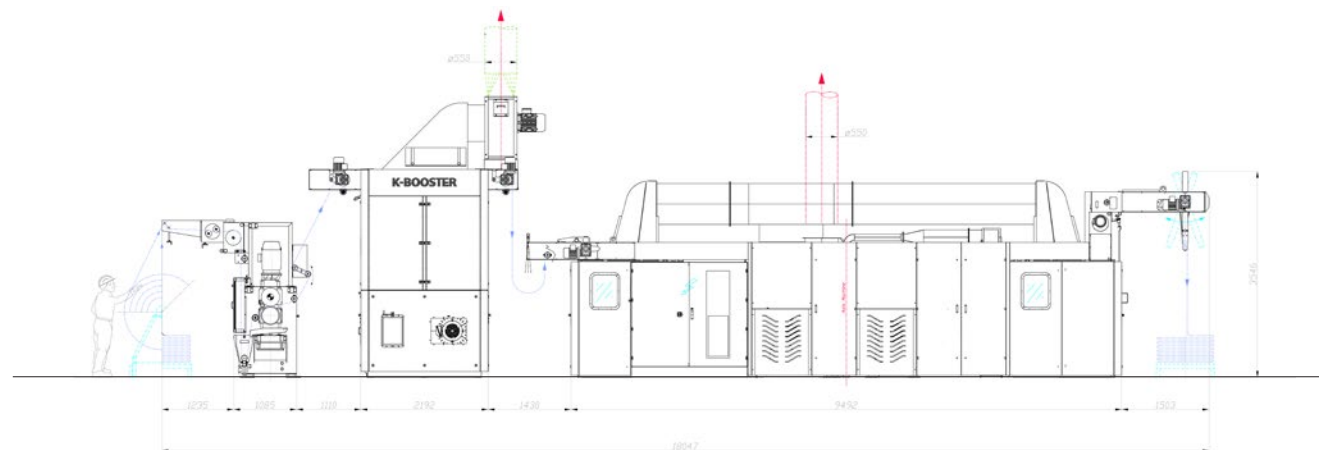
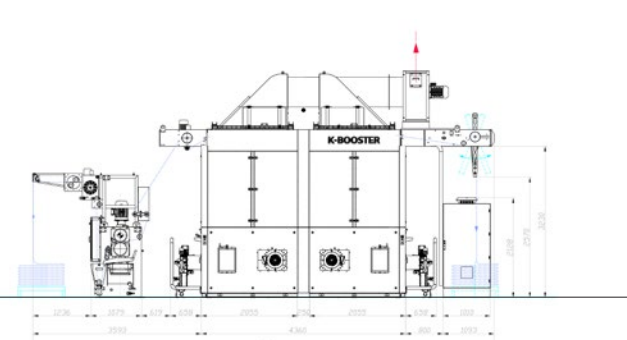
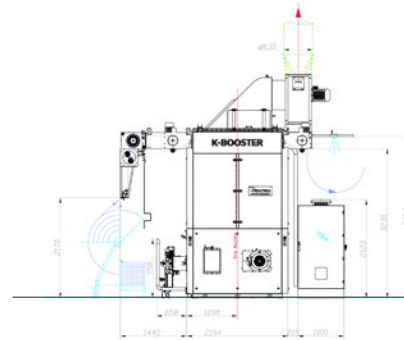
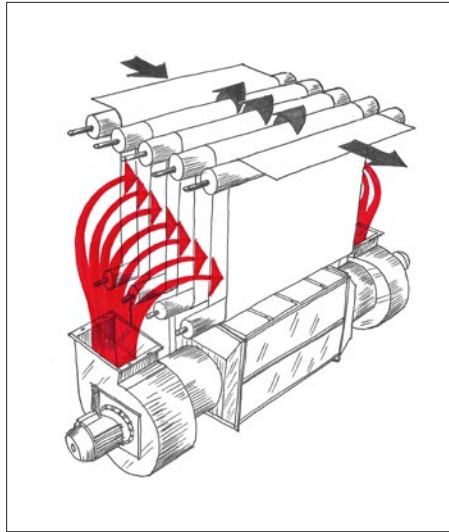
IN LINE OR STAND-ALONE

Designed as a module of a line or stand-alone unit, K-BOOSTER is equipped with an inlet from both a spreading & slat centering device or a loop control sensor. Paralelly, at the exit, it can be equipped with an infrared synchronism sensor or with an independent flat folding device.

MAXIMUM EVAPORATION IN MINIMAL SPACE

K-BOOSTER is the most efficient dryer on the market with respect to its overall dimensions: in just two meters, 400 kg/h of evaporated product can be reached. In the drying chamber, the ratio of fabric vs air (as a *heat transfer vector*) is considerably higher than in conventional dryers.

K-BOOSTER



The modularity of K-BOOSTER allows enormous versatility of use for efficient and compact drying, both in line and as a stand-alone unit:

PRE- DRYING:

K-BOOSTER can pre-dry fabrics before the final process in tumbler. Designed for printed wovens and mainly for fabrics requiring high evaporation, such as bottom weights and home fabrics. Particularly indicated for terry towels enabling to double the productivity, within the same final touch. Thanks to K-BOOSTER, production speed drastically increases and, on the other hand, thermal and power consumption are considerably reduced.

FULL MODULAR DRYER

Efficient and compact dryer for quick drying in a small space. Ideal at the end of the washing of an after printing line for effective and immediate drying with high productivity: 1 module allows speeds up to 40 meters per min on open fabric and with 80% pick up on inlet. It is possible to synchronize K-Booster in line with rope form washing range + detwister and equip it with a centering device at the inlet and a flat folding device at the exit.

Rollers width:	2200-2600-3400 mm
Fabric width range:	1800 > 3200mm
Mechanical Speed:	3 - 70 m/min
Maximum evaporation capacity:	400 Kg/h per module
Heating system:	Gas
Maximum installed Thermal Power:	630 kw – 542.000 Kcal/h
Maximum Temperature of the Air:	170°C
Average gas consumption:	34 m ³ /h per module
Compressed Air line:	½" - 6 bar
Installed electrical power:	52 kW per module
Absorbed electrical power:	26 kw per module